

OPTOTRONIC FIT NFC

Compact constant current LED driver – Non dimmable



Areas of application

- Spot light and down light
- Offices
- Shops
- Hospitality

Product family benefits

- Fast programming / current set via NFC*
- High quality of light thanks to low output ripple current
- Small housing for flexible luminaire designs
- High efficiency

Product family features

- Output current range 150-1050 mA
- NFC Interface
- Low LF-ripple < 5%
- Lifetime: up to 50,000 h (temperature at max. t_c)



Product family datasheet

Technical data

Electrical data

Product description	Nominal input voltage	Mains frequency	Input voltage AC	Total harmonic distortion	Power factor λ
OT FIT 15/220-240/350 NFC	220...240 V	50/60 Hz	198...264 V	< 10 % ¹⁾	0.98
OT FIT 25/220-240/700 NFC	220...240 V	50/60 Hz	198...264 V	< 10 % ¹⁾	0.98
OT FIT 40/220-240/1A0 NFC	220...240 V	50/60 Hz	198...264 V	< 10 % ¹⁾	0.98

Product description	Efficiency in full-load	Device power loss	Inrush current	Max. ECG no. on circuit breaker 10 A (C)	Max. ECG no. on circuit breaker 10 A (B)
OT FIT 15/220-240/350 NFC	85 % ²⁾	2.5 W	20 A ³⁾	-	40
OT FIT 25/220-240/700 NFC	89 % ²⁾	3.6 W	20 A ³⁾	-	20
OT FIT 40/220-240/1A0 NFC	88 % ²⁾	5.5 W	20 A ³⁾	-	15

Product description	Max. ECG no. on circuit breaker 16 A (B)	Max. ECG no. on circuit breaker 16 A (C)	Max. ECG no. on circuit breaker 25 A (B)	Surge capability (L/N-Ground)
OT FIT 15/220-240/350 NFC	60	-	-	2 kV
OT FIT 25/220-240/700 NFC	30	-	-	2 kV
OT FIT 40/220-240/1A0 NFC	25	-	-	2 kV

Product description	Surge capability (L-N)	Nominal output voltage	U-OUT (working voltage)	Nominal output current	Output current tolerance
OT FIT 15/220-240/350 NFC	1 kV	18...40 V	60 V	150...350 mA ⁴⁾	±7.5 %
OT FIT 25/220-240/700 NFC	1 kV	18...40 V	60 V	350...700 mA ⁴⁾	±7.5 %
OT FIT 40/220-240/1A0 NFC	1 kV	18...40 V	60 V	700...1050 mA ⁴⁾	±7.5 %

Product description	Default output current	Output ripple current (100 Hz)	Output PSTLM
OT FIT 15/220-240/350 NFC	150 mA	< 5 %	≤1
OT FIT 25/220-240/700 NFC	350 mA	< 5 %	≤1
OT FIT 40/220-240/1A0 NFC	700 mA	< 5 %	≤1

Product description	Output SVM	Nominal output power	Maximum output power	Galvanic isolation
OT FIT 15/220-240/350 NFC	≤0.4	2.7...14 W	14 W	SELV
OT FIT 25/220-240/700 NFC	≤0.4	6.3...28 W	28 W	SELV
OT FIT 40/220-240/1A0 NFC	≤0.4	12.6...42 W	42 W	SELV

Product description	Current set
OT FIT 15/220-240/350 NFC	NFC
OT FIT 25/220-240/700 NFC	NFC

Product family datasheet

Product description	Current set
OT FIT 40/220-240/1A0 NFC	NFC

1) At full load

2) at 230 V, 50 Hz

3) $t_h=200 \mu s$

4) $\pm 7,5\%$

Dimensions & weight

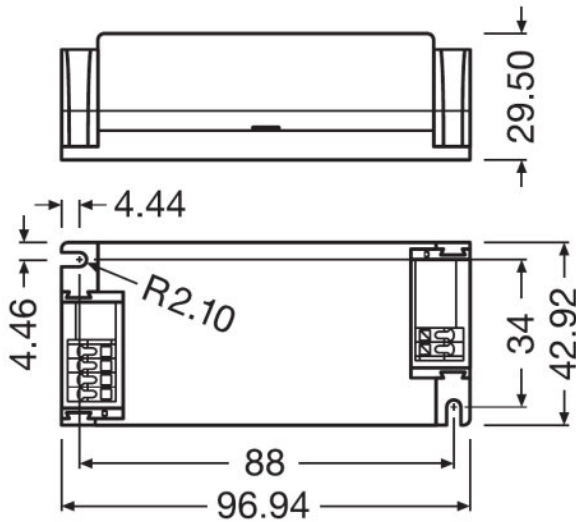
Product description	Mounting hole spacing, length	Mounting hole spacing, width	Product weight	Cable cross-section, input side	Cable cross-section, output side
OT FIT 15/220-240/350 NFC	88.0 mm	34.0 mm	80.00 g	0.5...1.5 / 0.75...1.5 mm ² 1)	0.5...1.5 / 0.75...1.5 mm ² 1)
OT FIT 25/220-240/700 NFC	88.0 mm	34.0 mm	120.00 g	0.5...1.5 / 0.75...1.5 mm ² 1)	0.5...1.5 / 0.75...1.5 mm ² 1)
OT FIT 40/220-240/1A0 NFC	88.0 mm	34.0 mm	140.00 g	0.5...1.5 / 0.75...1.5 mm ² 1)	0.5...1.5 / 0.75...1.5 mm ² 1)

Product description	Wire preparation length, input side	Wire preparation length, output side	Height	Length	Width
OT FIT 15/220-240/350 NFC	7...8 mm	7...8 mm	29.5 mm	97.0 mm	43.0 mm
OT FIT 25/220-240/700 NFC	7...8 mm	7...8 mm	29.5 mm	97.0 mm	43.0 mm
OT FIT 40/220-240/1A0 NFC	7...8 mm	7...8 mm	29.5 mm	97.0 mm	43.0 mm

1) Solid/ Flexible Leads

Product family datasheet

Product line drawing



OT FIT 15/220-240/350 NFC, OT FIT 25/220-240/700 NFC,
OT FIT 40/220-240/1A0 NFC

Colors & materials

Product description	Casing material
OT FIT 15/220-240/350 NFC	Plastic
OT FIT 25/220-240/700 NFC	Plastic
OT FIT 40/220-240/1A0 NFC	Plastic

Temperatures & operating conditions

Product description	Ambient temperature range	Maximum temperature at tc test point	Max.housing temperature in case of fault	Temperature range at storage
OT FIT 15/220-240/350 NFC	-20...+50 °C	70 °C	110 °C	-25...85 °C
OT FIT 25/220-240/700 NFC	-20...+50 °C	80 °C	110 °C	-25...85 °C
OT FIT 40/220-240/1A0 NFC	-20...+50 °C ²⁾	80 °C	110 °C	-25...85 °C

Product description	Permitted rel. humidity during operation
OT FIT 15/220-240/350 NFC	5...85 % ¹⁾
OT FIT 25/220-240/700 NFC	5...85 % ¹⁾
OT FIT 40/220-240/1A0 NFC	5...85 % ¹⁾

¹⁾ Non-condensing

Product family datasheet

2) 700-900 mA

Lifespan

Product description	ECG lifetime
OT FIT 15/220-240/350 NFC	50000 / 100000 h ¹⁾
OT FIT 25/220-240/700 NFC	50000 / 100000 h ²⁾
OT FIT 40/220-240/1A0 NFC	50000 / 100000 h ²⁾

¹⁾ $T_c = 70^\circ\text{C}$, 0.2% / 1,000 h failure rate / $T_c = 60^\circ\text{C}$, 0.1% / 1,000 h failure rate

²⁾ At $T_c = 80^\circ\text{C}$ / 0.2% / 1,000 h failure rate / $T_c = 70^\circ\text{C}$, 0.1% / 1,000 h failure rate

Capabilities

Product description	Dimmable	Overheating protection	Overload protection
OT FIT 15/220-240/350 NFC	No	Automatic reversible	Yes
OT FIT 25/220-240/700 NFC	No	Automatic reversible	Yes
OT FIT 40/220-240/1A0 NFC	No	Automatic reversible	Yes

Product description	Short-circuit protection	No-load proof	Intended for no-load operation	Max. cable length to lamp/LED module
OT FIT 15/220-240/350 NFC	Yes	Yes	No	2.0 m
OT FIT 25/220-240/700 NFC	Yes	Yes	No	2.0 m
OT FIT 40/220-240/1A0 NFC	Yes	Yes	No	2.0 m

Product description	Suitable for fixtures with prot. class	Type of connection, input side	Type of connection, output side
OT FIT 15/220-240/350 NFC	I / II	Push terminal	Push terminal
OT FIT 25/220-240/700 NFC	I / II	Push terminal	Push terminal
OT FIT 40/220-240/1A0 NFC	I / II	Push terminal	Push terminal

Product description	Number of channels
OT FIT 15/220-240/350 NFC	1
OT FIT 25/220-240/700 NFC	1
OT FIT 40/220-240/1A0 NFC	1

Programming

Product description	Programming device	Tuner4TRONIC Field App	Tuner4TRONIC
OT FIT 15/220-240/350 NFC	NFC	Yes	Yes
OT FIT 25/220-240/700 NFC	NFC	Yes	Yes
OT FIT 40/220-240/1A0 NFC	NFC	Yes	Yes

Product description	Box programming
OT FIT 15/220-240/350 NFC	Yes
OT FIT 25/220-240/700 NFC	Yes
OT FIT 40/220-240/1A0 NFC	Yes

Product family datasheet

Certificates & standards

Product description	Approval marks – approval	Standards	Type of protection
OT FIT 15/220-240/350 NFC	CCC / CE / ENEC	Acc. to IEC 61347-1/Acc. to IEC 61347-2-13/Acc. to IEC 62384/Acc. to IEC 61000-3-2/Acc. to IEC 61000-3-3/Acc. to IEC 61547/Acc. to EN 55015, CISPR 15/Acc. to EN 62386	IP20
OT FIT 25/220-240/700 NFC	CCC / CE / ENEC	Acc. to IEC 61347-1/Acc. to IEC 61347-2-13/Acc. to IEC 62384/Acc. to IEC 61000-3-2/Acc. to IEC 61000-3-3/Acc. to IEC 61547/Acc. to EN 55015, CISPR 15/Acc. to EN 62386	IP20
OT FIT 40/220-240/1A0 NFC	CCC / CE / ENEC	Acc. to IEC 61347-1/Acc. to IEC 61347-2-13/Acc. to IEC 62384/Acc. to IEC 61000-3-2/Acc. to IEC 61000-3-3/Acc. to IEC 61547/Acc. to EN 55015, CISPR 15/Acc. to EN 62386	IP20

Logistical data

Product description	Commodity code
OT FIT 15/220-240/350 NFC	850440829000
OT FIT 25/220-240/700 NFC	850440829000
OT FIT 40/220-240/1A0 NFC	850440829000

Application advice





For more detailed application information and graphics please see product datasheet.

Sales and Technical Support

Sales and Technical Support www.osram.com

Download Data

Product family datasheet

File	
	User instruction OPTOTRONIC LED Power Supply
	User instruction OPTOTRONIC LED Power Supply
	Certificates OT FIT IT DALI NFC ENEC 35 113246 060420
	Certificates OT FIT IT DALI NFC RCM NSW27559 080421
	Declarations of conformity OT FIT NFC CE 4211505 230821
	Declarations of conformity OT FIT NFC UK DoC 4281077 040221

Ecodesign regulation information:

Intended for use with LED modules.

The forward voltage of the LED light source shall be within the defined operating window of the control gear in all operating conditions including dimming if applicable.

Separate control gear and light sources must be disposed of at certified disposal companies in accordance with Directive 2012/19/EU (WEEE) in the EU and with Waste Electrical and Electronic Equipment (WEEE) Regulations 2013 in the UK. For this purpose, collection points for recycling centres and take-back systems (CRSO) are available from retailers or private disposal companies, which accept separate control gear and light sources free of charge. In this way, raw materials are conserved and materials are recycled.

Logistical Data

Product code	Product description	Packaging unit (Pieces/Unit)	Dimensions (length x width x height)	Volume	Gross weight
4052899617179	OT FIT 15/220-240/350 NFC	Shipping carton box 20	208 mm x 158 mm x 107 mm	3.52 dm ³	1715.00 g
4052899617186	OT FIT 25/220-240/700 NFC	Shipping carton box 20	208 mm x 158 mm x 107 mm	3.52 dm ³	2515.00 g
4052899617193	OT FIT 40/220-240/1A0 NFC	Shipping carton box 20	208 mm x 158 mm x 107 mm	3.52 dm ³	2915.00 g

The mentioned product code describes the smallest quantity unit which can be ordered. One shipping unit can contain one or more single products. When placing an order, for the quantity please enter single or multiples of a shipping unit.

Accessories Optional

Product description	Accessory name	Accessory code
---------------------	----------------	----------------

Product family datasheet

OT FIT 15/220-240/350 NFC	OT CABLE CLAMP D-STYLE	▶ 4052899077904
OT FIT 25/220-240/700 NFC	OT CABLE CLAMP D-STYLE	▶ 4052899077904
OT FIT 40/220-240/1A0 NFC	OT CABLE CLAMP D-STYLE	▶ 4052899077904

Disclaimer

Subject to change without notice. Errors and omission excepted. Always make sure to use the most recent release.