

CV Power supplies 24V with PC



Areas of application

- Suitable for luminaires of protection classes I and II
- Hospitality – decorative lighting, night light
- Restaurants – decorative lighting
- Shops – decorative lighting, shelf lighting
- Residential – cove lighting, under cabinet lighting

Product family benefits

- IP rating: IP20
- High efficiency
- Very stable output power
- High electrical reversible short-circuit, overload, overtemperature protection
- Independent installation possible

Product family features

- 24 V constant output voltage
- SELV
- Wide Ta range -20 – +50 °C
- Lifetime 50 000 h at tc max
- Dimming range: 3...100 % luminous flux
- Recommended to Use Trailing Edge dimmer

Product family datasheet

Technical data

Electrical data

Product description	Nominal input voltage	Mains frequency	Input voltage AC	Total harmonic distortion	Power factor λ
OT FIT 36 /220-240/24 PC	220...240 V	50/60 HZ Hz	198...264 V	< 15 %	> 0.95
OT FIT 75 /220-240/24 PC	220...240 V	50/60 HZ Hz	198...264 V	< 15 %	> 0.95
OT FIT 150 /220-240/24 PC	220...240 V	50/60 HZ Hz	198...264 V	< 15 %	> 0.95

Product description	Efficiency in full-load	Device power loss	Inrush current	Max. ECG no. on circuit breaker 10 A (B)	Max. ECG no. on circuit breaker 10 A (C)
OT FIT 36 /220-240/24 PC	85 % ¹⁾	6.0 W ²⁾	< 25 A ³⁾	21	33
OT FIT 75 /220-240/24 PC	92 % ¹⁾	6.6 W ²⁾	< 50 A ³⁾	6	9
OT FIT 150 /220-240/24 PC	92 % ¹⁾	13 W ²⁾	< 60 A ³⁾	2	3

Product description	Max. ECG no. on circuit breaker 16 A (B)	Max. ECG no. on circuit breaker 16 A (C)	Surge capability (L/N-Ground)	Surge capability (L-N)
OT FIT 36 /220-240/24 PC	33	53	2 kV	1 kV
OT FIT 75 /220-240/24 PC	12	19	2 kV	1 kV
OT FIT 150 /220-240/24 PC	4	6	2 kV	1 kV

Product description	Nominal output voltage	Nominal output power	Maximum output power	Galvanic isolation
OT FIT 36 /220-240/24 PC	24.2 V	2.42...36.3 W	36.3 W ⁴⁾	SELV
OT FIT 75 /220-240/24 PC	24.2 V	24.2...75.8 W	75.8 W ⁴⁾	SELV
OT FIT 150 /220-240/24 PC	24.2 V	60.5...151.3 W	151.3 W ⁴⁾	SELV

Product description	Output PWM frequency
OT FIT 36 /220-240/24 PC	3 k Hz
OT FIT 75 /220-240/24 PC	3 k Hz
OT FIT 150 /220-240/24 PC	3 k Hz

¹⁾ at 230 V, 50 Hz

²⁾ At Full load, 230 V, 50 Hz

³⁾ $t_{width} = 250 \mu s$ (measured at 50 % I_{peak})

⁴⁾ at steady state

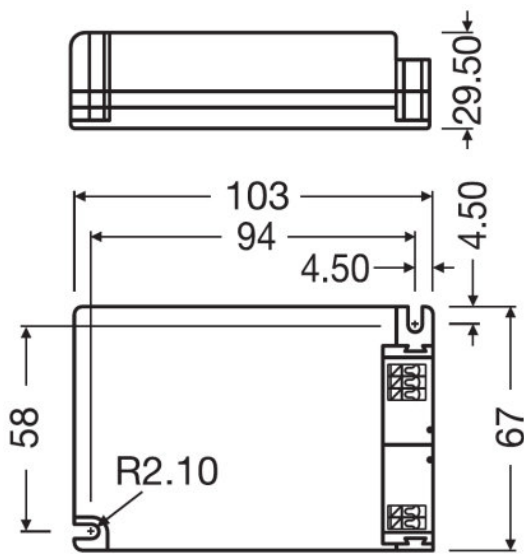
Product family datasheet

Dimensions & weight

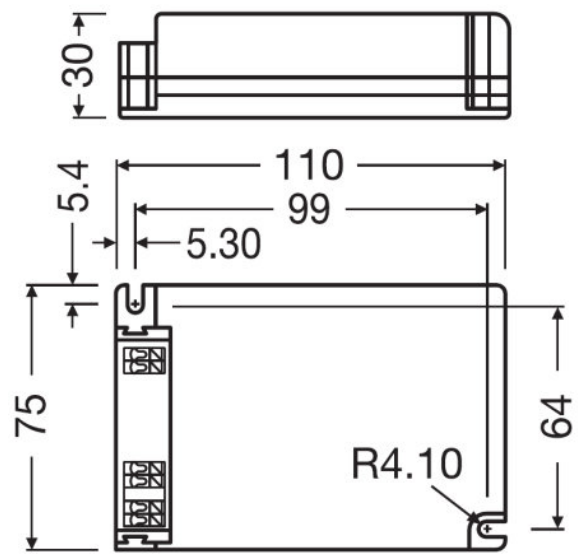
Product description	Mounting hole spacing, length	Product weight	Cable cross-section, input side	Cable cross-section, output side	Wire preparation length, input side
OT FIT 36 /220-240/24 PC	94.0 mm	162.00 g	0.5...1.5 mm ²	0.75...1.5 mm ²	7...8 mm
OT FIT 75 /220-240/24 PC	99.0 mm	210.00 g	0.5...1.5 mm ²	0.75...1.5 mm ²	7...8 mm
OT FIT 150 /220-240/24 PC	159.5 mm	580.00 g	0.75...1.5 mm ²	0.75...1.5 mm ²	7...8 mm

Product description	Wire preparation length, output side	Mounting hole spacing, width	Length	Height	Width
OT FIT 36 /220-240/24 PC	7...8 mm	58.0 mm	103.0 mm	29.5 mm	67.0 mm
OT FIT 75 /220-240/24 PC	7...8 mm	64.0 mm	110.0 mm	30.0 mm	76.0 mm
OT FIT 150 /220-240/24 PC	7...8 mm	66 mm	170.0 mm	30.0 mm	76.0 mm

Product line drawing

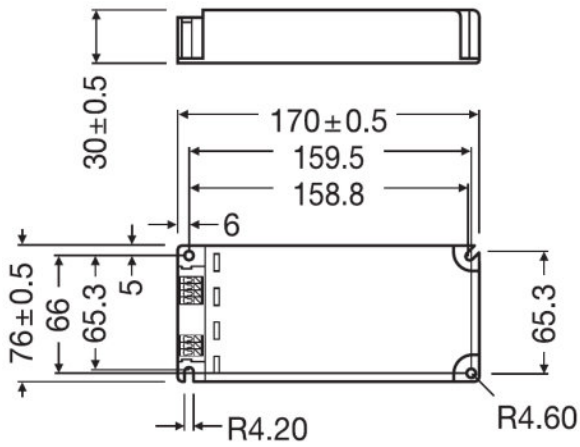


OT FIT 36 /220-240/24 PC



OT FIT 75 /220-240/24 PC

Product family datasheet



OT FIT 150 /220-240/24 PC

Colors & materials

Product description	Casing material
OT FIT 36 /220-240/24 PC	Plastic
OT FIT 75 /220-240/24 PC	Plastic
OT FIT 150 /220-240/24 PC	Plastic

Temperatures & operating conditions

Product description	Ambient temperature range	Maximum temperature at tc test point	Max.housing temperature in case of fault	Temperature range at storage
OT FIT 36 /220-240/24 PC	-20...+50 °C	80 °C	110 °C	-20...80 °C
OT FIT 75 /220-240/24 PC	-20...+45 °C	80 °C	110 °C	-20...80 °C
OT FIT 150 /220-240/24 PC	-20...+45 °C	80 °C	110 °C	-20...80 °C

Product description	Permitted rel. humidity during operation
OT FIT 36 /220-240/24 PC	5...85 % ¹⁾
OT FIT 75 /220-240/24 PC	5...85 % ¹⁾
OT FIT 150 /220-240/24 PC	5...85 % ¹⁾

¹⁾ Maximum 56 days/year at 85 %

Product family datasheet

Lifespan

Product description	ECG lifetime
OT FIT 36 /220-240/24 PC	50000 h
OT FIT 75 /220-240/24 PC	50000 h
OT FIT 150 /220-240/24 PC	50000 h

Capabilities

Product description	Dimmable	Dimming interface	Dimming range	Dimming method
OT FIT 36 /220-240/24 PC	Yes	Phase Cut	3...100 %	PWM
OT FIT 75 /220-240/24 PC	Yes	Phase Cut	3...100 %	PWM
OT FIT 150 /220-240/24 PC	Yes	Phase Cut	3...100 %	PWM

Product description	Overheating protection	Overload protection	Short-circuit protection	No-load proof
OT FIT 36 /220-240/24 PC	Yes	Yes	Yes	Yes
OT FIT 75 /220-240/24 PC	Yes	Yes	Yes	Yes
OT FIT 150 /220-240/24 PC	Yes	Yes	Yes	Yes

Product description	Suitable for fixtures with prot. class	Type of connection, input side	Type of connection, output side
OT FIT 36 /220-240/24 PC	I	Fixed connection (terminal)	Fixed connection (terminal)
OT FIT 75 /220-240/24 PC	I	Fixed connection (terminal)	Fixed connection (terminal)
OT FIT 150 /220-240/24 PC	I	Fixed connection (terminal)	Fixed connection (terminal)

Product description	Number of channels	Control interface
OT FIT 36 /220-240/24 PC	1	Trailing edge dimmer recommended
OT FIT 75 /220-240/24 PC	1	Trailing edge dimmer recommended
OT FIT 150 /220-240/24 PC	1	Trailing edge dimmer recommended

Programming

Product description	Tuner4TRONIC
OT FIT 36 /220-240/24 PC	No
OT FIT 75 /220-240/24 PC	No
OT FIT 150 /220-240/24 PC	No

Product family datasheet

Certificates & standards

Product description	Approval marks – approval	Standards	Protection class	Type of protection
OT FIT 36 /220-240/24 PC	CE / ENEC / CCC / RCM / UKCA / EAC / SELV / CB	Acc. to EN 55015/Acc. to EN 60598-1/Acc. to EN 61347-1/Acc. to EN 61347-2-13/Acc. to EN 61547/Acc. to EN 62384/CISPR 15/EN 55015	II	IP20
OT FIT 75 /220-240/24 PC	CE / ENEC / CCC / RCM / UKCA / EAC / SELV / CB	Acc. to EN 55015/Acc. to EN 60598-1/Acc. to EN 61347-1/Acc. to EN 61347-2-13/Acc. to EN 61547/Acc. to EN 62384/CISPR 15/EN 55015	II	IP20
OT FIT 150 /220-240/24 PC	CE / ENEC / CCC / RCM / UKCA / EAC / SELV / CB	Acc. to EN 61347-1/Acc. to EN 61347-2-13/Acc. to EN 55015/Acc. to EN 61547/Acc. to EN 60598-1/Acc. to EN 62384/CISPR 15/EN 55015	II	IP20

Logistical data

Product description	Commodity code
OT FIT 36 /220-240/24 PC	85044083900
OT FIT 75 /220-240/24 PC	85044083900
OT FIT 150 /220-240/24 PC	85044083900

Environmental information Information according Art. 33 of EU Regulation (EC) 1907/2006 (REACH)

Product description	Date of Declaration	Primary Article Identifier	Candidate List Substance 1
OT FIT 36 /220-240/24 PC	21-07-2023	4062172237390	Lead
OT FIT 75 /220-240/24 PC	21-07-2023	4062172237413	Lead
OT FIT 150 /220-240/24 PC	16-06-2023	4062172237642	Lead

Product description	CAS No. of substance 1	Safe Use Instruction	Declaration No. in SCIP database
OT FIT 36 /220-240/24 PC	7439-92-1	The identification of the Candidate List substance is sufficient to allow safe use of the article.	a61cc393-322a-40a8-b7f8-20d7cac2fccb
OT FIT 75 /220-240/24 PC	7439-92-1	The identification of the Candidate List substance is sufficient to allow safe use of the article.	2b7138b9-7775-4cfe-abc6-56a6196b31aa

Product family datasheet

Product description	CAS No. of substance 1	Safe Use Instruction	Declaration No. in SCIP database
OT FIT 150 /220-240/24 PC	7439-92-1	The identification of the Candidate List substance is sufficient to allow safe use of the article.	c8d942cb-c0d0-46d9-8c20-823a1003a630













Application advice

For more detailed application information and graphics please see product datasheet.

Sales and Technical Support

Sales and Technical Support www.osram.com

Download Data

File
 User instruction OPTOTRONIC LED Power Supply
 Product Datasheet Product Datasheet OT FIT 36 PC (EN)
 Certificates CB certificate OT FIT 24V PC
 Certificates ENEC OT FIT 24V
 Certificates CCC certificate of OT FIT 36W free-standing
 Certificates CCC certificate of OT FIT 36W free-standing
 Product Datasheet product datasheet OT FIT 75 PC (EN)
 Certificates CCC certificate OT FIT build in
 Certificates CCC certificate of OT FIT 75W free-standing
 Product Datasheet product datasheet OT FIT 150 PC
 Certificates CCC certificate of OT FIT 150W bulid in
 Certificates CCC certificate of OT FIT 150W free-standing

Product family datasheet

Ecodesign regulation information:

Intended for use with LED modules.

The forward voltage of the LED light source shall be within the defined operating window of the control gear in all operating conditions including dimming if applicable.

Separate control gear and light sources must be disposed of at certified disposal companies in accordance with Directive 2012/19/EU (WEEE) in the EU and with Waste Electrical and Electronic Equipment (WEEE) Regulations 2013 in the UK. For this purpose, collection points for recycling centres and take-back systems (CRSO) are available from retailers or private disposal companies, which accept separate control gear and light sources free of charge. In this way, raw materials are conserved and materials are recycled.

Logistical Data

Product code	Product description	Packaging unit (Pieces/Unit)	Dimensions (length x width x height)	Volume	Gross weight
4062172237390	OT FIT 36 /220-240/24 PC	Shipping carton box 30	355 mm x 225 mm x 130 mm	10.38 dm ³	5302.00 g
4062172237413	OT FIT 75 /220-240/24 PC	Shipping carton box 20	395 mm x 237 mm x 99 mm	9.27 dm ³	4637.00 g
4062172237642	OT FIT 150 /220-240/24 PC	Shipping carton box 10	400 mm x 187 mm x 99 mm	7.41 dm ³	6142.00 g

- The mentioned product code describes the smallest quantity unit which can be ordered. One shipping unit can contain one or more single products. When placing an order, for the quantity please enter single or multiples of a shipping unit.

Accessories Optional

Product description	Accessory name	Accessory code
OT FIT 36 /220-240/24 PC	OT CABLE CLAMP B-STYLE	▶ 4052899077881
OT FIT 75 /220-240/24 PC	OT CABLE CLAMP A-STYLE	▶ 4052899089570
OT FIT 150 /220-240/24 PC	OT CABLE CLAMP B-STYLE	▶ 4052899077881

Disclaimer

Subject to change without notice. Errors and omission excepted. Always make sure to use the most recent release.